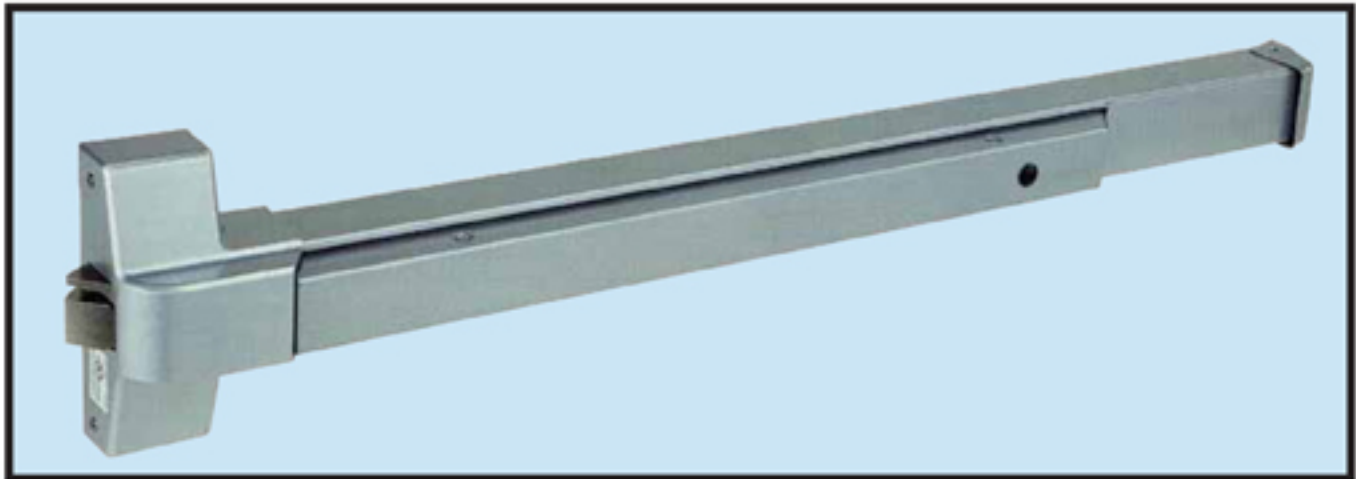
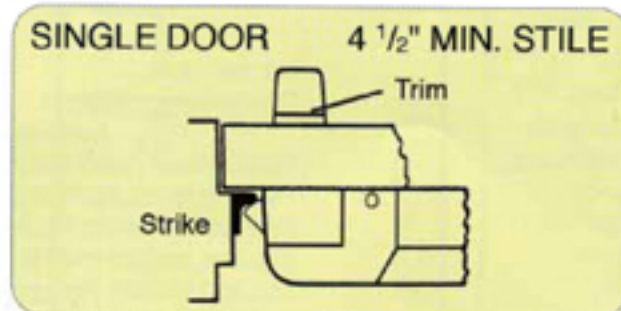
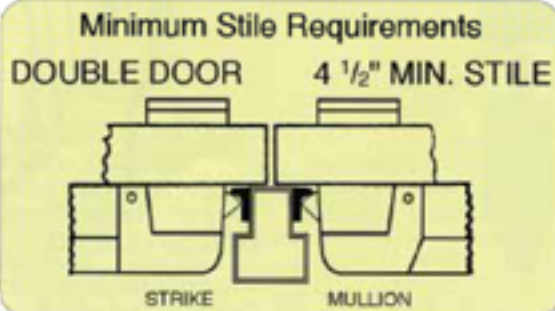


# QS5000

## GRADE 2 PANIC RIM EXIT DEVICE



### Minimum Stile Requirements



### FEATURES

- Conforms to ANSI A156.3 Grade 2
- Doors- 1 3/4" standard thickness, useable on doors 1 3/8" to 2" thick (specify when other than 1 3/4"). Door widths from 30" to 48".
- Hardware furnished for metal and wood door mounting
- Latch bolt- Stainless steel with 3/4" throw
- Dead Latch Bolt- 5/8" Stainless steel
- Non-handed with reversible trim
- Stainless steel or steel construction of the chassis, rail assembly and end cap
- Stile requirements- 4 1/2" minimum
- Strike- 5/8" stop plus shim for 1/2" stop
- Device length- 3' & 4' lengths
- Dogging Feature- Allen key provided (not for use on fire doors)

### CODE COMPLIANCE



### SPECIFICATIONS

**Grade 2 Panic Rim Exit Device - PANIC EXIT DEVICE** is a non-handed exit device with a dead locking latch bolt. The device is MBS model number QS5000-36 (3' length) and QS5000-48 (4' length). The device is used on any exit door where panic exit hardware is required. The device conforms to Grade 2 of ANSI A156.3. Useable on doors 1 3/8" to 2" thick and door width of 30" to 48".

### OPTIONAL OUTSIDE TRIM LEVER

- Non handed Grade 2 (Optional Clutch)
- Tubular body hardened steel heavy duty tailpiece.
- For 1 3/4" doors.
- Available for fire and non fire rated rim and vertical rod exit devices.
- Rose diameter 3", lever length 4 3/4"
- Fits and covers 161 cutout.
- Finishes: US26D US10B.
- Function: QS8000L-ANSI Function 08/13. Entrance-Key retracts latch-bolt, unlocks lever.
- QS8000S-ANSI Function 04. Storeroom-Key operation lever, otherwise always locked.
- QS8000P-ANSI Function 01. Passage.

13097 Parkside Dr., Suite B, Fishers, IN 46038

Tel: 317-806-1180 Fax: 317-578-2904 [www.marshallbestsecurity.com](http://www.marshallbestsecurity.com)