



APPLICATIONS

The E-TIMER™ is ideal for Automatic door Operators which are not supplied with a built in time delays.

It is also suitable for (de) energizing an electric strike or electromagnet for an adjustable time period, or any other application requiring a quality timer.

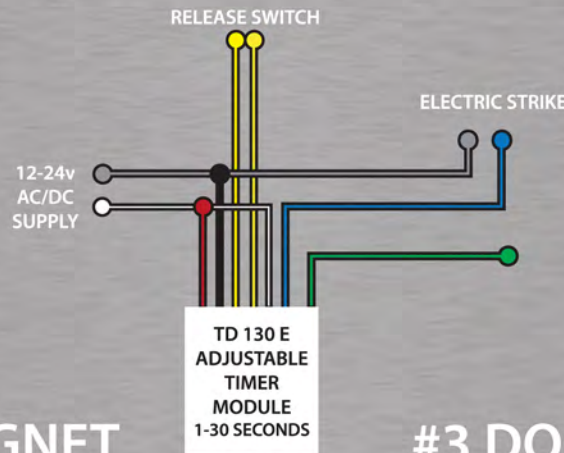
SPECIFICATIONS

MODEL TS-130E

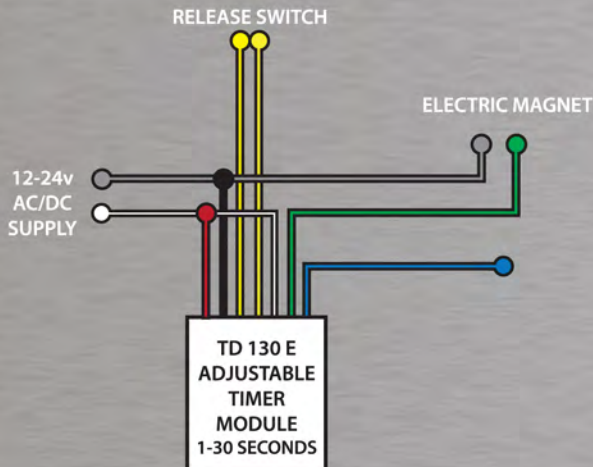
- SIZE: 2.25" L x 1.25" w x .75 H (60mm x 34mm x 18mm)
- ENCLOSURE: BLACK STYRENE PLASTIC
- OPERATING VOLTAGE: 12 – 24 VOLTS AC/DC
- CURRENT DRAW: 20mA IDLE, 33mA OPERATING
- RESPONSE TIME: .03 SECONDS
- INPUT: N.O. DRY CONTACT
- FORM: C (SPDT)
- CONTACT RATING: 3 amps @ 277VAC/30 VDC
- ELECTRIC LIFE: 100,000 @ RATED CAPACITY
- TIME RELAY: 1-30 SECONDS

APPLICATION SCHEMATICS

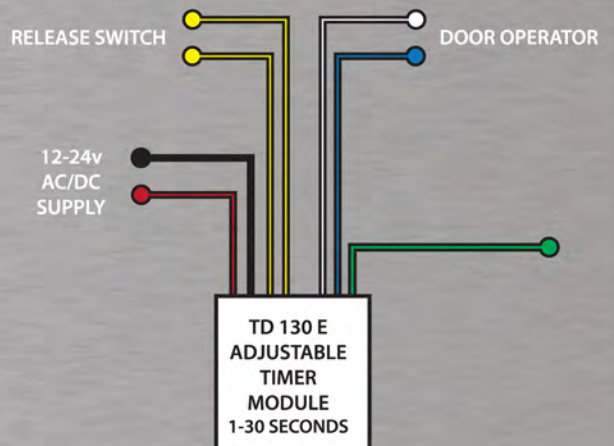
#1 ELECTRIC STRIKE



#2 ELECTROMAGNET



#3 DOOR OPERATOR





E-Timer™ Product TC130E

E-TIMER DELAY RELEASE



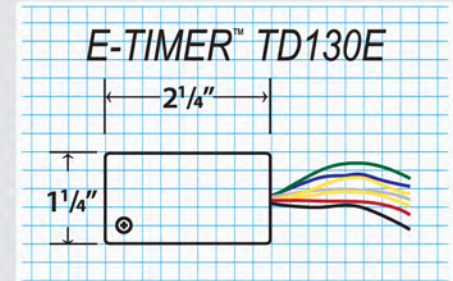
FEATURES

- COMPACT DESIGN
- PROTECTIVE PLASTIC CASE
- 12-24 VOLT AC or DC
- ADJUSTABLE DELAY FROM 1- 30 SECONDS
- COLOR CODED LEADS
- SPDT CONTACTS RATED AT 3 AMPS @ 28 VDC

DESCRIPTION

TD130 E-TIMER™ is a versatile easy-to-operate, delay on release timer which operates on 12 or 24 volts AC/DC. The delay is adjustable from 1 to 30 seconds with access for adjustment by way of an access

porthole located on the cover. The Form C relay output is rated at 3 amps @ 28VDC. The input may from be a dry contact such as a wall activation switch.



TYPICAL APPLICATION

