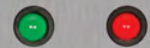




Flush Mount with Stainless Steel Push Button & LED Ring

FACEPLATE ICON





NL-SL & NV SV Faceplate ICON with Flush Mounted Stainless Steel Push Button

FACEPLATE ICON

DESCRIPTION

NL-SL & NV-SV Faceplate ICON with Flush Mounted Stainless Steel Push Button Series:

These Series of push switches are engineered to meet the stringent demands of access and egress controls for today's systems. The unique 7/8" LED illumination (L series) and the 1" Stainless Steel Buttons (V series) offer a new standard to performance in exit controls pertaining to anti-vandal issues. Faceplates are fabricated from thick aircraft grade aluminum with all rounded edges for safety and flush mounting. The ICON embossing brings a new level in visibility and durability combination not found in any other controls available in today's market.

The pushbutton mounting is also unique and innovative with its

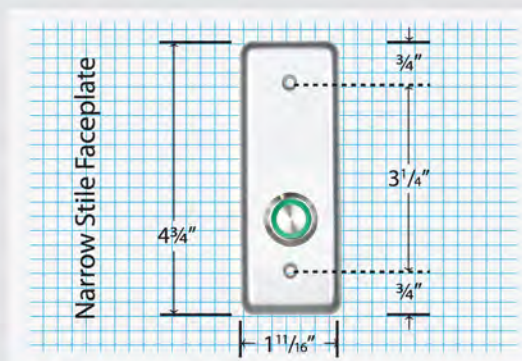
full surface threaded locking ring versus the set screw or plastic mounts currently offered in today's market. In addition the compact actuator and switch have a design that has an internal projection depth of 1" 25mm when mounted, including the prewired 6 amp @ 125 VAC switches. Two (2) Torx design tamperproof security screws which are supplied with every unit bring an added finish to the security features. This overall product construction is ideal for applications where the need for anti-vandalism, tamper resistance, edge deflection and safety issues are required.

MBS ICON Flush Mount Push Button Series, Performance by design are being supplied with LED Enhanced and Heavy Duty Flush Mounted Buttons with ICON configurations for real world access and egress system integration.

NL-NV MODELS

The NL- NV Faceplate ICON Push Button Series: Narrow Stile, (MULLION); the faceplate is 1 11/16" 44mm wide; perfect for door frame or narrow mounting surface areas.

- NLX22 – 1 switch SPDT momentary, Green LED Ring with Stainless Steel Button, Plain Faceplate with BHMA 689 finish
- NLY22 – 1 switch SPDT momentary, Red LED Ring with Stainless Steel Button, Plain Faceplate with BHMA 689 finish
- NLP22 – 1 switch SPDT momentary, "PUSH TO EXIT" ICON with RED Letters, Stainless Steel Push Button with Red LED Ring, BHMA 689 finish faceplate.
- NLE22 – 1 switch SPDT momentary, "EXIT" ICON with RED Letters, Stainless Steel Push Button with Red LED Ring, BHMA 689 finish faceplate.
- NLG22 – 1 switch SPDT momentary, "PUSH TO EXIT" ICON with GREEN Letters, Stainless Steel Push Button with GREEN LED Ring, BHMA 689 finish faceplate.
- NVZ25 – 1 switch SPDT momentary, Stainless Steel Button, Plain Faceplate with BHMA 689 finish
- NVP25 – 1 switch SPDT momentary, Steel Button, "PUSH TO EXIT" ICON with RED Letter with BHMA 689 finish faceplate.
- NVE25 – 1 switch SPDT momentary, Stainless Steel Button, "EXIT" ICON with RED Letters with BHMA 689 finish faceplate.
- NVG25 – 1 switch SPDT momentary, Stainless Steel Button, "PUSH TO EXIT" ICON with Green letters with BHMA 689 finish faceplate.



SL-SV MODELS

SL- SV MODELS: SL- SV Faceplate ICON Push Button Series: Single Gang; faceplate 3" 75mm wide for gang box installation or surface mounting application.

- SLX22 – 1 switch SPDT momentary, Green LED Ring with Stainless Steel Button, Plain Faceplate with BHMA 689 finish
- SLY22 – 1 switch SPDT momentary, Red LED Ring with Stainless Steel Button, Plain Faceplate with BHMA 689 finish
- SLP22 – 1 switch SPDT momentary, "PUSH TO EXIT" ICON with RED Letters, Stainless Steel Push Button with Red LED Ring, BHMA 689 finish faceplate.
- SLE22 – 1 switch SPDT momentary, "EXIT" ICON with RED Letters, Stainless Steel Push Button with Red LED Ring, BHMA 689 finish faceplate.
- SLG22 – 1 switch SPDT momentary, "PUSH TO EXIT" ICON with GREEN Letters, Stainless Steel Push Button with GREEN LED Ring, BHMA 689 finish faceplate.
- SVZ25 – 1 switch SPDT momentary, Stainless Steel Button, Plain Faceplate with BHMA 689 finish
- SVP25 – 1 switch SPDT momentary, Steel Button, "PUSH TO EXIT" ICON with RED Letter with BHMA 689 finish faceplate.
- SVE25 – 1 switch SPDT momentary, Stainless Steel Button, "EXIT" ICON with RED Letters with BHMA 689 finish faceplate.
- SVG25 – 1 switch SPDT momentary, Stainless Steel Button, "PUSH TO EXIT" ICON with Green letters with BHMA 689 finish faceplate.

