



DESCRIPTION

The SN & SS Key Switch Control Series: this Series design is for use with industries standard 15/16", 1", 1-1/8" or 1-1/4" mortise cylinders with various cam configurations (The mortise cylinder is not included, but is available from MBS).

The SN & SS faceplates are fabricated from heavy duty aircraft grade aluminum with all round edges, corners and concave design for durable flush mounting and safety. A number architectural finishes are available standard to match the variety of application or specifications into today's market.

Included in this design are the additional features of heavy gauge all steel cylinder mounting frame, which include a faceplate index guide, cam rotation pin block, cylinder locators for anti-rotation, double layer cylinder support frame that

incorporates a platform which indexes a secure mounting for the unique all steel plunger switch(s).

The Key Switch Assembly can be supplied with one (1) or two (2) prewired heavy duty switches.

For security, the cylinder mounting has an all brass detent cylinder lock ring with a special designed index lock washer (patent pending) to maintain cylinder position in the highest of usage environments. The faceplate for assured anti-vandal performance is supplied with (2) stainless steel security torx screws.

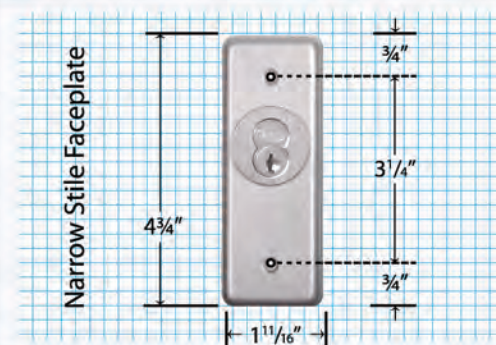
MBS Key Switches can be supplied in numerous Switch, Finish and LED configurations for real world security control pertaining to any facilities specifications.

SN SERIES

The SN Key Switch Control Series: Narrow Stile, (MULLION); the faceplate is 1-11/16" wide; perfect for door frame or narrow mounting surface areas.

SN MODELS:

- NS011A – 1 switch SPDT momentary with BHMA 689 finish (standard)
- NS012A – 1 switch SPDT maintained with BHMA 689 finish (standard)
- NS021A – 2 switch SPDT momentary with BHMA 689 finish (standard)
- NS022A – 2 switch SPDT maintained with BHMA 689 finish (standard)
- NS023A – 2 switch (1) SPDT momentary, (1) SPDT maintained with BHMA 689 finish (standard)
- NS034A – 1 switch DPST with 1 to 60 second pneumatic adjustable time delay with BHMA 689 finish (standard)

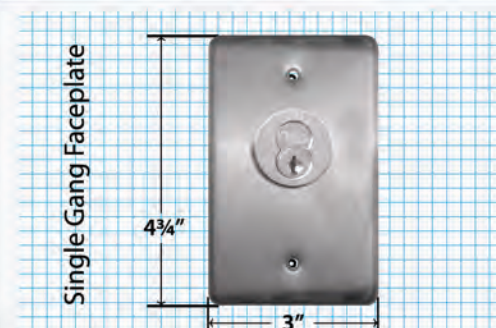


SS SERIES

The SS Key Switch Control Series: Single Gang; the faceplate is 3" wide; for gang box installation or surface mounting.

SS MODELS:

- SS011S – 1 switch SPDT momentary with BHMA 626 finish (standard)
- SS012S – 1 switch SPDT maintained with BHMA 626 finish (standard)
- SS021S – 2 switch SPDT momentary with BHMA 626 finish (standard)
- SS022S – 2 switch SPDT maintained with BHMA 626 finish (standard)
- SS023S – 2 switch (1) SPDT momentary, (1) SPDT maintained with BHMA 626 finish (standard)
- SS034S – 1 switch DPST with 1 to 60 second pneumatic adjustable time delay with BHMA 626 finish (standard)



OPTIONS

FINISHES:

- Option A – BHMA 689 Satin Silver (standard SN series)
- Option D – BHMA 695 Duranotic (option SN series only)
- Option S – BHMA 626 Satin Chrome (standard SS series)
- Option O – BHMA 613 Oiled Rubbed Bronze (option SS series only)
- Option B – BHMA 606 Satin Brass (option SS series only)

LEDS:

- Option R – RED 12/24 volt, Mounted
- Option G – GREEN 12/24 volt, Mounted
- Option T – RED (1) & GREEN (1) 12/24 volt, Mounted

CYLINDERS:

- Option 1 – SMALL FORMAT INTERCHANGEABLE CORE (finishes 606, 613, 626)
- Option 2 – KEYED DIFFERENT (1) (finishes 606, 613, 626)
- Option 3 – KEYED ALIKE (1) (finishes 606, 613, 626)