

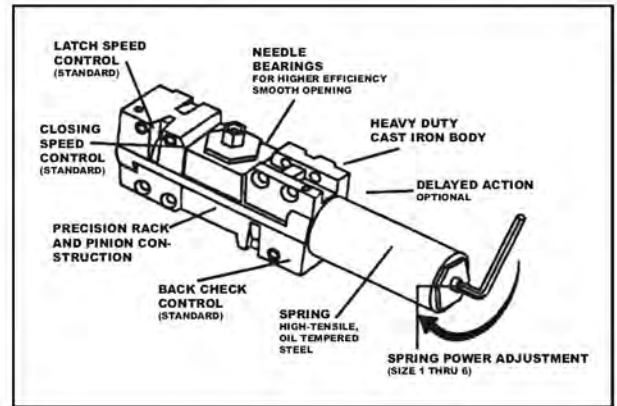
Closers

Extra Heavy Duty Commercial Door Closer

Grade 1 Door Closers



QDC-40



FEATURES

QDC-40 (Heavy Duty Multi-Size Grade 1)

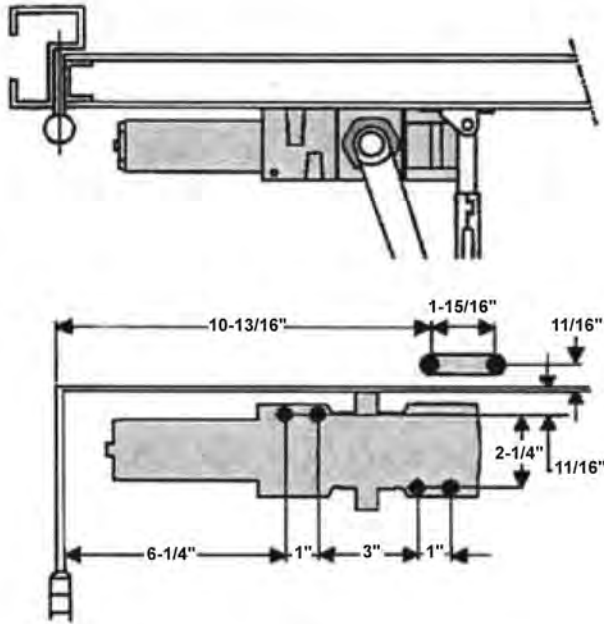
- Comply with ANSI A156.4 Grade 1
- UL and ULC listed
- Meet ADA requirements
- Heavy duty iron cast body
- All weather fluid, standard plastic cover
- Adjustable sweep and latch speeds
- Adjustable back-check standard
- Barrier free spring adjustable from size 1 to 6
- Non-handed
- Tri-pack installation: regular, parallel arm or top jamb
- Delay action, arms and drop plates options available
- Full plastic cover
- SNB – Sex Nuts and Bolts
- Standard hole pattern and mounting location
- Full rack and pinion
- Hex-key adjustment
- Available finish: AL, DU. For other finishes, please inquire.

OPTIONS

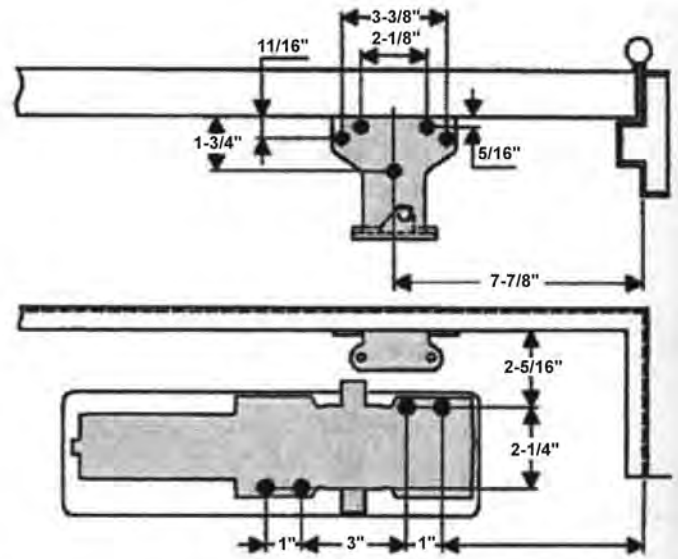
- DA – Delay Closing Action.
- H – Friction Hold-Open Non-Handed Arm.
- CUSH – Heavy Duty Parallel Mount Cush Arm.
- HCUSH – Heavy Duty Parallel, Hold-Open Cush Arm.
- PTDC4018 – Drop Plate, Pull-side Mount.
- PTDC4018G – Drop Plate – Top Jamb Drop Down Plate.
- PTDC4018PA – H Drop Plate – Parallel Arm Mount Plate.
- PTDC4018TJ – Back Plate - Top Jamb Mount Plate

Extra Heavy Duty Commercial Door Closer

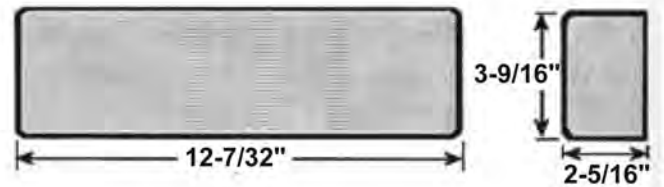
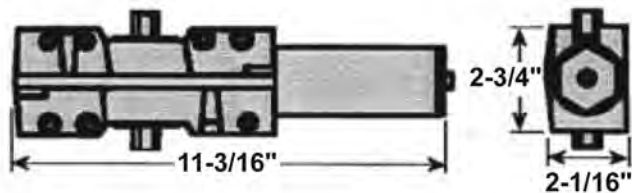
PULL SIDE INSTALLATION



PUSH SIDE INSTALLATION



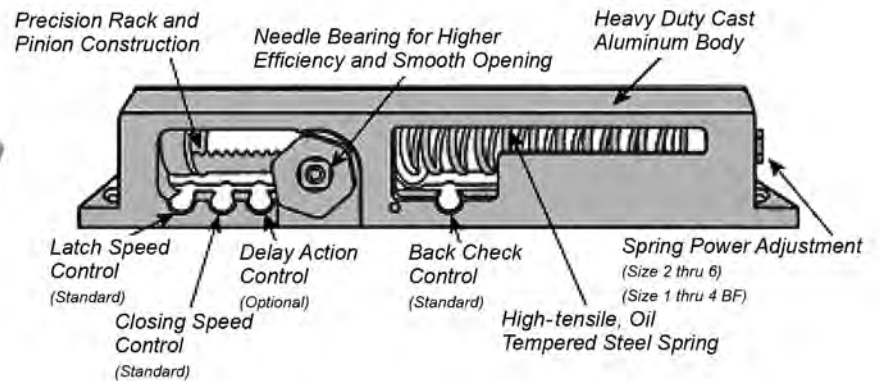
CLOSER BODY



Heavy Duty Commercial Door Closer



QDC-70



FEATURES

QDC-70 Adjustable Grade 1)

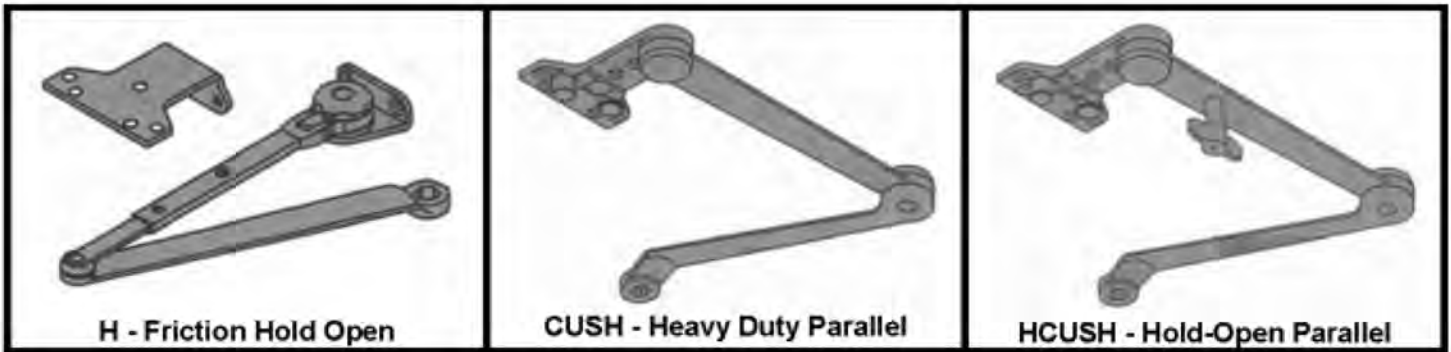
- Comply with ANSI A156.4 Grade 1
- UL and ULC listed
- Spring power adjustable (Standard size 2-6, barrier free size 1-4")
Factory pre-adjusted to size 3
- Standard adjustable back-check, Standard PA bracket for tri-pack application
- All weather fluid, standard plastic cover
- Non-handed
- Arms and drop plates options available
- Cast aluminum alloy body
- Full rack and pinion
- Full plastic cover.
- SNB – Sex Nuts and Bolts.
- Standard hole pattern and mounting location.
- Hex-key adjustment
- Available finish AL, DU. For other finishes, please inquire.

OPTIONS

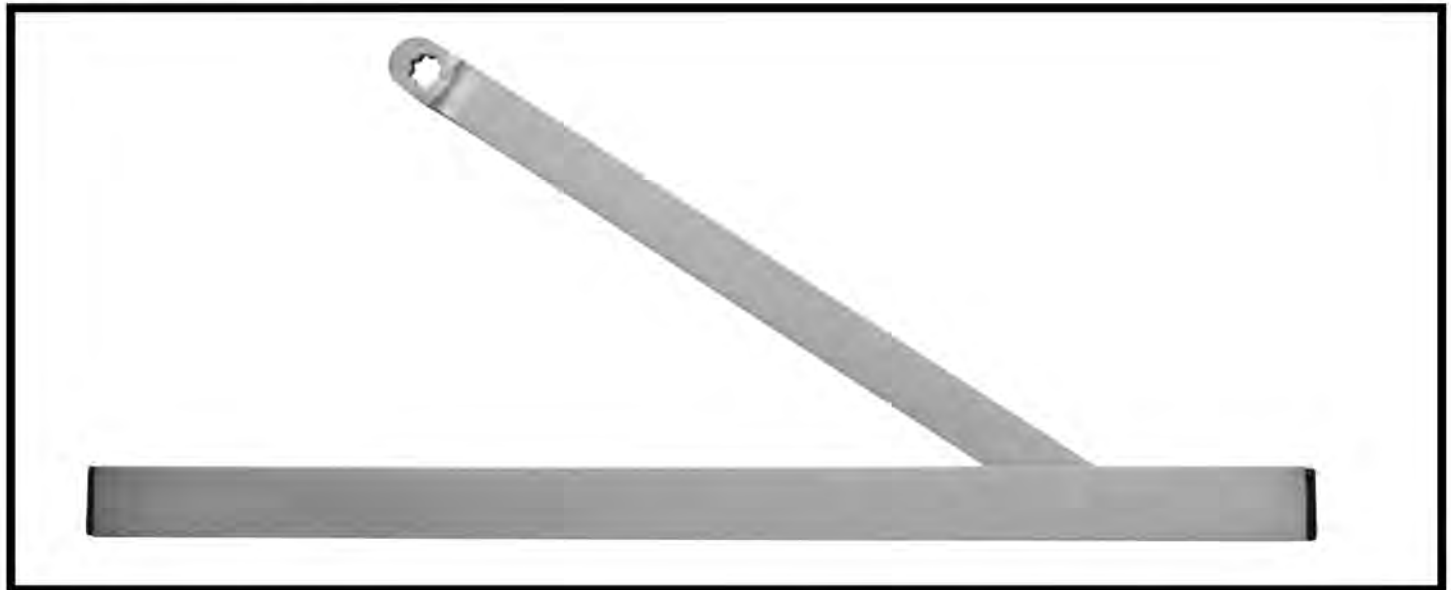
- BF- Barrier free spring adjustment from size 1 to 4, Factory pre-adjusted to size 2
- DA – Delay Closing Action
- H – Friction Hold-Open Non-Handed Arm
- CUSH – Heavy Duty Parallel Mount Cush Arm
- HCUSH – Heavy Duty Parallel, Hold-Open Cush Arm
- PTDC7018 – Drop Plate, Pull-side Mount
- PTDC7018TJ – Back Plate – Top Jamb Mount Plate
- TRACK – Slide Track Arm
- Polished Brass/Stainless Steel Cover and Arm Set

Heavy Duty Commercial Door Closer

Door Closer Arms

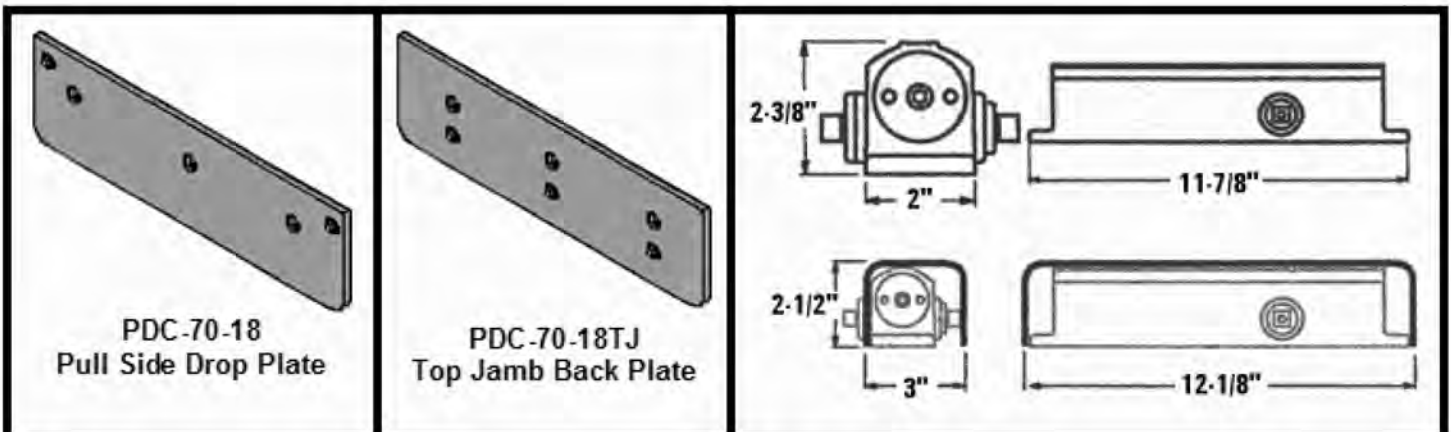


Track - Slide Track Arm



Closer Back Plates

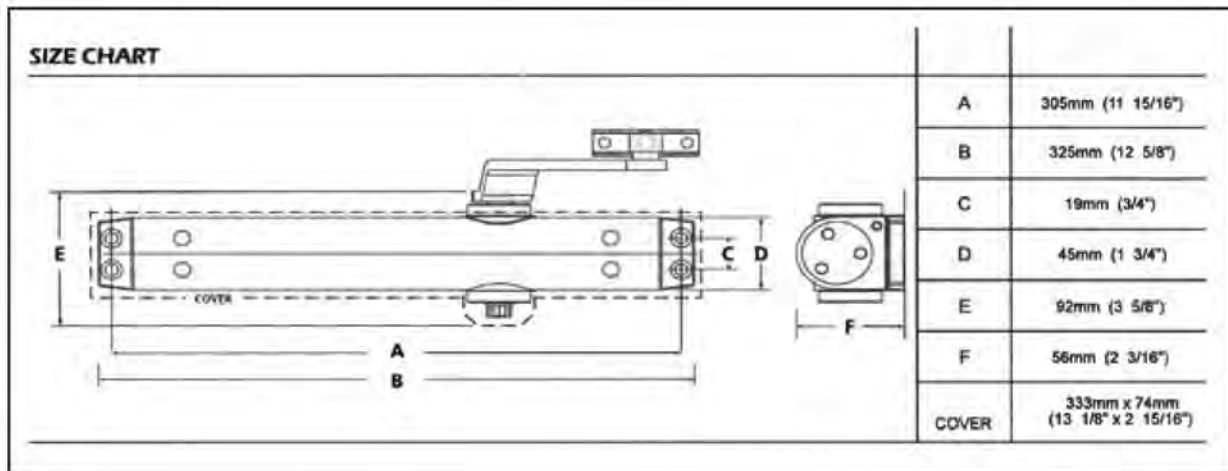
Door Closer and Cover



Heavy Duty Power Adjustable Door Closer



QDC-85



FEATURES

QDC-85 (Heavy Duty Power Adjustable Grade 1)

- Comply with ANSI A156.4 Grade 1
- UL and ULC listed
- Spring power adjustable (Standard size 1-6)
Factory pre-adjusted to size 3
- Standard adjustable back-check,
Standard PA bracket for tri-pack application
- All weather fluid, standard plastic cover
- Non-handed
- Arms and drop plates options available
- Cast aluminum alloy body
- Full rack and pinion
- Full plastic cover.
- SNB – Sex Nuts and Bolts.
- Standard hole pattern and mounting location.
- Hex-key adjustment
- Available finish AL, DU. For other finishes, please inquire.

OPTIONS

- Polished brass/ Stainless steel cover and arm set.
- Adjustable hold open arm
- Cush-n stop arm
- Forged hold open arm
- Tracked Arm
- Finishes: Plastic Cover – AL, Duro, Gold

Medium Duty Commercial Door Closer



QDC-90 (Grade 2)

FEATURES

QDC-90 (Heavy Duty Power Adjustable Grade 2)

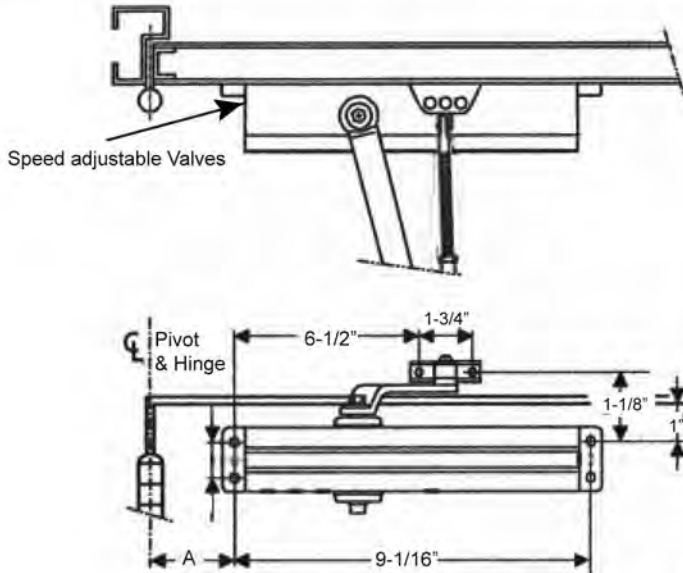
- Comply with ANSI A156.4 Grade 2
- UL and ULC listed
- Spring power adjustable
(Standard size 1-6, barrier free size 1/2"-4)
Factory pre-adjusted to size 3
- Standard adjustable back-check,
Standard PA bracket for tri-pack application
- All weather fluid
- Non-handed
- Arms and drop plates options available
- Cast aluminum alloy body
- Full rack and pinion
- Slimline plastic cover.
- SNB – Sex Nuts and Bolts.
- Standard hole pattern and mounting location.
- Hex-key adjustment
- Available finish AL, DU, 605, 625

OPTIONS

- BF- Barrier free spring adjustment from size 1 to 4,
Factory pre-adjusted to size 2, Slotted Screwdriver adjustment.

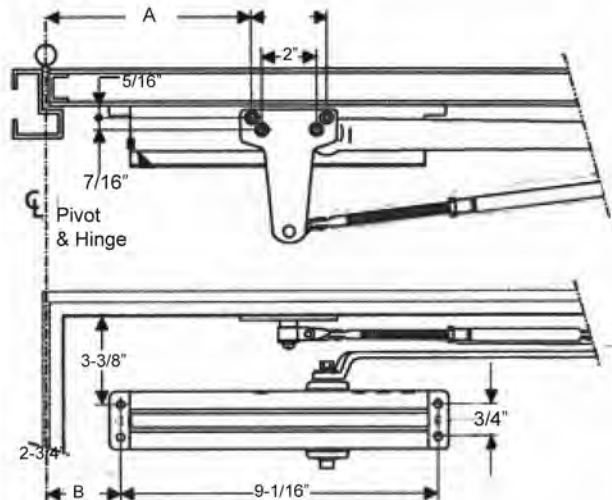
Medium Duty Commercial Door Closer

PULL SIDE INSTALLATION



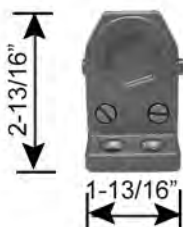
OPENING	DIM A
120°	6-1/2"
120° — 180°	4"

PUSH SIDE INSTALLATION



OPENING	DIM A	DIM B
120°	10-3/4"	6-15/16"
120° — 180°	8-3/4"	4-3/4"

CLOSER BODY



PDC-SLM-SLIM CLOSER COVER



Economy Commercial Door Closer

QDC-50 Series (Grade 3)

FEATURES**QDC-50 (Heavy Duty Power Adjustable Grade 3)**

- Comply with ANSI A156.4 Grade 3
- UL and ULC listed
- Universal application as standard
- All weather fluid
- Cast aluminum alloy body
- Tri-pack with regular, parallel and top-jamb installation
- Standard closer spring sized to 3,4 with NO adjustment
- Standard adjustable sweep and latch speeds
- SNB sex bolts
- Non-handed
- Slimline Plastic Cover
- Standard hole pattern and mounting location
- Available finish: AL

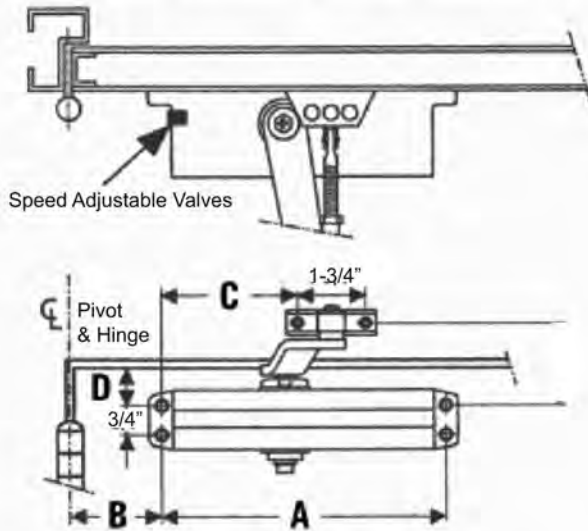
OPTIONS

- BC – Backcheck Adjustment Valve
- SIZE 2,5 – available – special order only

Economy Commercial Door Closer

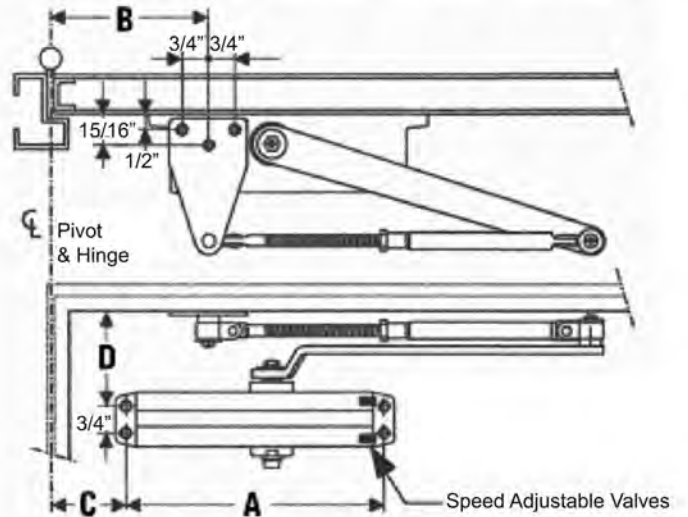
PULL SIDE INSTALLATION

Model	A	B	C	D
QDC53	8-3/16"	4"	6-1/2"	1-1/8"
QDC54	9-1/16"	4"	6-1/2"	1-1/8"



PUSH SIDE INSTALLATION

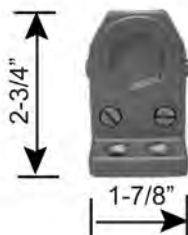
Model	A	B	C	D
QDC53	8-3/16"	8-3/4"	5-5/8"	3-3/8"
QDC54	9-1/16"	8-3/4"	4-3/4"	3-3/8"



CLOSER BODY



QDC 53 = 8-29/32"
QDC 54 = 9-13/16"



PDC-SLM-SLIM LINE COVER



10-5/8"

